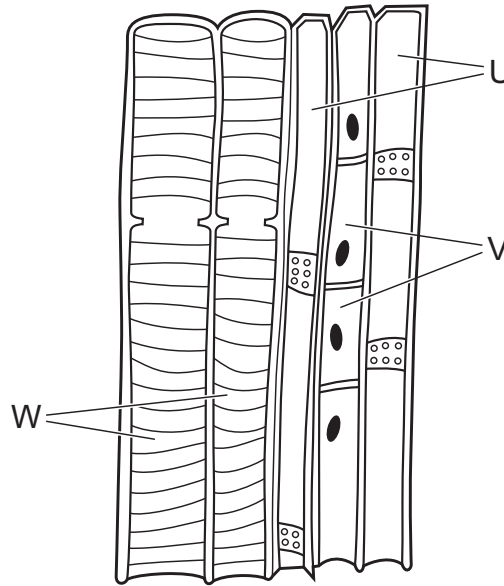


- 26 The diagram shows a vertical section through part of the stem of a dicotyledonous plant. Three types of structures are labelled.



What are the structures U, V and W?

	companion cells	phloem sieve tube elements	xylem vessel elements
A	U	W	V
B	V	U	W
C	U	V	W
D	W	V	U